



ELECTRICAL PUMP: PUMP MULTIORT

Description

The MULTIORT electric grease pump is designed to feed progressive lubrication systems. It can be supplied with 1, 2 or 3 discharge elements with fixed or adjustable output. Different voltages are available, continuous, singlephase or 3 phase. The reservoirs are metal or plastic with or without low level switch.

Functioning

The MULTIORT pump is equipped with an eccentric gear reducer which operates with 1 or more discharge elements which pushes lubricant into lubrication lines.

Control

The pumps can be supplied with an electrical low level switch. Each discharge element is equipped with a safety valve which prevents over pressure in the system.

Characteristics:

- Discharge pression: 250 bars.
- Reservoir capacities: 2 ou 4 kgs (plastic)
8 kgs (métal)
- Discharge: G1/4, (0.16cc per revolution)
6,4 cc/min for DC voltages
4,3 cc/min for AC voltages
Adjustable safety valve
(0 to 250 bars).
- Voltage: 12 ou 24 VDC 110
monophase 110 or 220
VAC 50/60 Hz
Triphase 220/380 VAC 50/60 Hz
- Electric low level switch: 240 VAC, 1.5 A, IP67
- Lubricants to be used: Grease NLGI 2 max
Oil (contact Bijur)
- Working temperature: -18°C to +50°C
- Installation: on vertical position

Ordering instructions

To define the exact pump characteristics use the following codes.

Example

MULTIORT pump, 1 fixed outlet, with a 4kg reservoir equipped with low level switch, electric motor 220/380 VAC with an extra outlet:

1 x Multi 4BE + 1 x 282784

Nota

Multiport pump can be equiped with adjustable pumping element (0 to 0,16cc per revolution) which must ordered separatly (part number AK442).



PUMP CODE	_____		MULTI	_____	_____	_____
Reservoir capacity	2	2 kg Plastic	_____	_____	_____	_____
	4	4 kg Plastic	_____	_____	_____	_____
	8	8 kg Métal	_____	_____	_____	_____
Low level switch	A	Without low level switch (2Kg only)	_____	_____	_____	_____
	B	With low level switch	_____	_____	_____	_____
Voltage	A	12 VDC 4Amp	_____	_____	_____	_____
	B	24 VDC 2 Amp	_____	_____	_____	_____
	C	110 VAC 0.06 Kw, 50/60 Hz	_____	_____	_____	_____
	D	220 VAC 0.06 Kw, 50/60 Hz	_____	_____	_____	_____
	E	220/380 VAC 0.06 Kw, 50/60 Hz.	_____	_____	_____	_____
	F	Other voltage (contact Bijur)	_____	_____	_____	_____

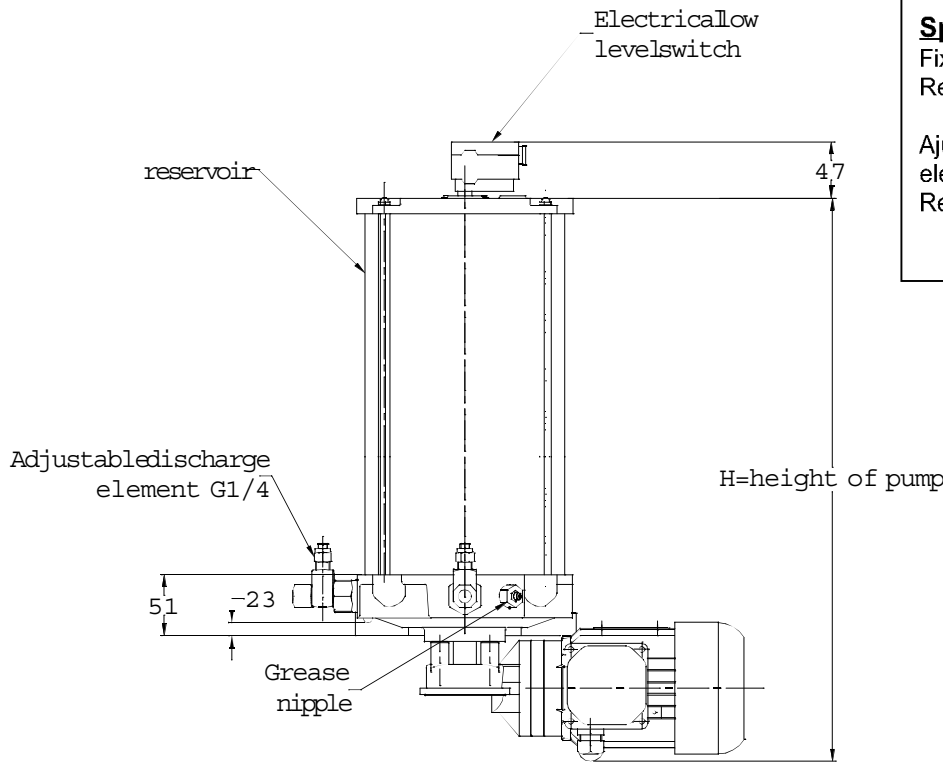
Nota

Lubricators with 8kg reservoir are always supplied with low level switch.



DRAWING: PUMP MULTIPORT

Singlephase and 3 phase MULTIPORT pump



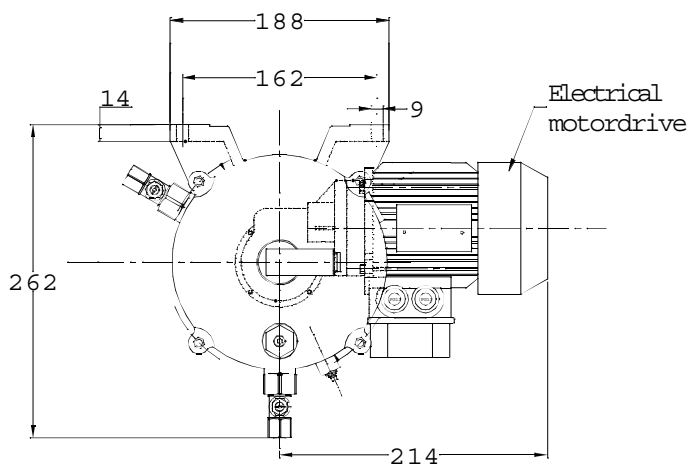
Option:

Electrical high level switch
 Ref: **AC462.**

Spare parts:

Fixed discharge pumping element,
 Ref. **282784.**

Ajustable discharge pumping element,
 Ref. **AK442.**



Pump height:

- Reservoir 2 Kg H = 333 mm
- Reservoir 4 Kg H = 406 mm
- Reservoir 8 Kg H = 640 mm

Ref: MULTI4BE with a discharge element (282784)

BIJUR EUROPE

Tél : +33 (0)1 69 29 85 85 - Fax : +33 (0) 69 07 76 27
Email : contact@bijur.fr - Site Internet : www.bijur.fr

BIJUR USA

Phone: (919) 465-4448 - Fax: (919) 465-0516 - Toll Free: (800) 631-0168
Email : bijur@worldnet.att.net - website: www.bijur.com



SERVICE INSTRUCTIONS: PUMP MULTIPOINT

Start up and service

Fill the reservoir with a manual or pneumatic grease gun by using the grease nipple which is located at the bottom of the reservoir. After having primed the pump check the system has been pressurised.

If it has not check the direction of rotation of the motor. Check and control periodically the grease level and the safety valve.



LUBRICATION GROUP

BIJUR**DELIMON****FARVAL****LUBESITE****LUBRIMONSA**

ISO 9001 : 2000

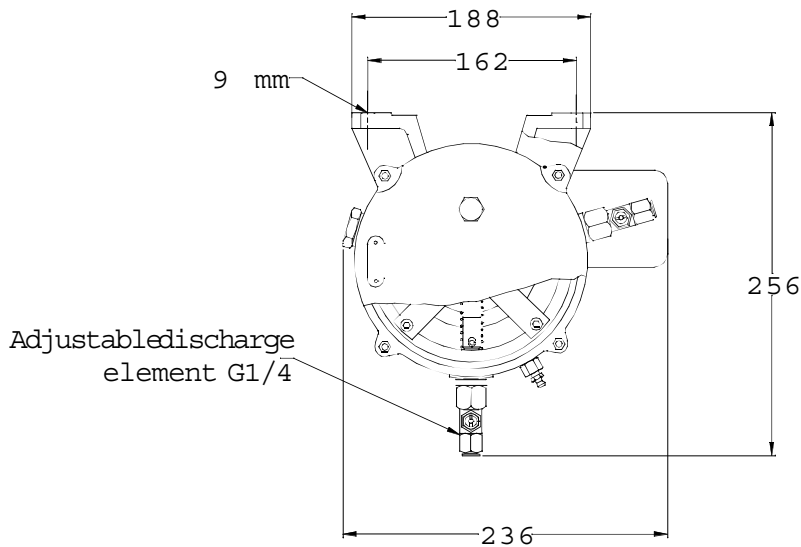
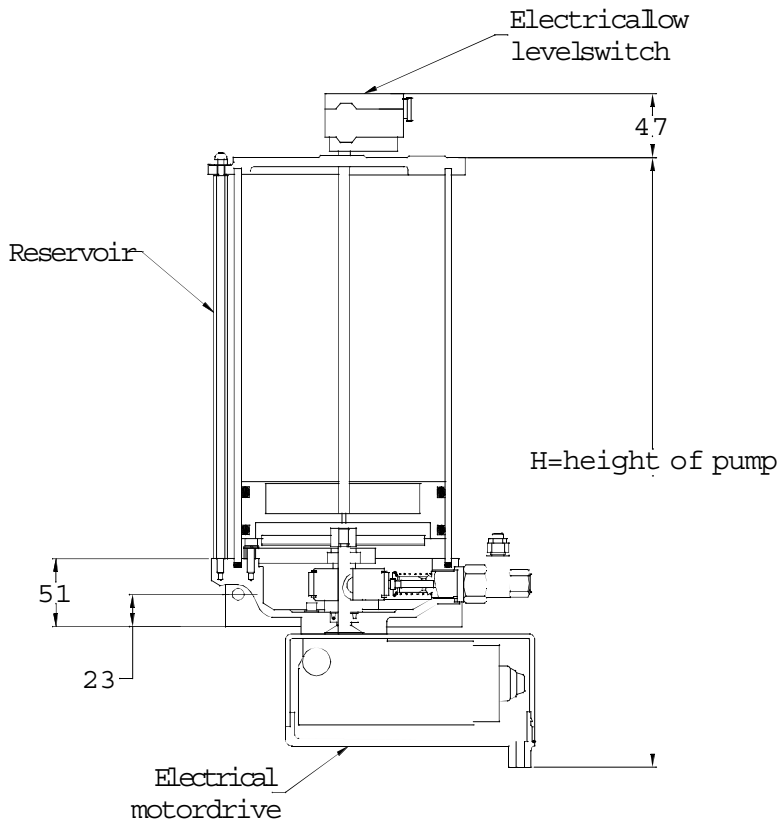
D2203E

(Rev. 4) (07/04)



DRAWING: PUMP MULTIPORT

12 et 24 VDC MULTIPORT pump



Option:

Electrical high level switch
 Ref: **AC462.**

Spare parts:

Fixed discharge pumping element,
 Ref. **282784.**

Ajustable discharge pumping
 element,
 Ref. **AK442.**

Pump height:

- Reservoir 2 Kg H = 350 mm
- Reservoir 4 Kg H = 406 mm

Ref: MULTI4BA with a discharge element (282784)

BIJUR EUROPE

Tél : +33 (0)1 69 29 85 85 - Fax : +33 (0) 69 07 76 27
Email : contact@bijur.fr - Site Internet : www.bijur.fr

BIJUR USA

Phone: (919) 465-4448 - Fax: (919) 465-0516 - Toll Free: (800) 631-0168
Email : bijur@worldnet.att.net - website: www.bijur.com



SERVICE INSTRUCTIONS: PUMP MULTIPOINT

Start up and service

Fill the reservoir with a manual or pneumatic grease gun by using the grease nipple which is located at the bottom of the reservoir. After having primed the pump check the system has been pressurised.

If it has not check the direction of rotation of the motor. Check and control periodically the grease level and the safety valve.



LUBRICATION GROUP

BIJUR**DELIMON****FARVAL****LUBESITE****LUBRIMONSA**

ISO 9001 : 2000

D2205E

(Rev. 4) (07/04)



KIT DE MAINTENANCE : PUMP TYPE MULTIPOINT 2 KG

RESERVOIR MAINTENANCE KIT: PUMP TYPE MULTIPOINT 2 KG WITHOUT LLS		
Reference	Description	Quantity
A0326	Reservoir 2kg	1
	Cover	1
	Reservoir screw	5
	Reservoir seal	1
	O ring	1

RESERVOIR AND PUMP MAINTENANCE KIT: PUMP TYPE MULTIPOINT 2 KG WITHOUT LLS		
Reference	Description	Quantity
A0327	Reservoir maintenance kit	1
	Copper seal pump element	1
	Seal motor shaft	1

RESERVOIR MAINTENANCE KIT: PUMP TYPE MULTIPOINT 2KG WITH LLS		
Reference	Description	Quantity
A0328	Reservoir 2kg	1
	Reservoir screw	4
	Washer	4
	Reservoir seal	1
	Follower plate O ring	2
	Low level switch	1

RESERVOIR AND PUMP MAINTENANCE KIT: PUMP TYPE MULTIPOINT 2 KG WITH LLS		
Reference	Description	Quantity
A0329	Reservoir maintenance kit	1
	Copper seal pump element	1
	Seal motor shaft	1



KIT DE MAINTENANCE : PUMP TYPE MULTIPOINT 4 KG

RESERVOIR MAINTENANCE KIT: PUMP TYPE MULTIPOINT 4 KG WITH LLS		
Reference	Description	Quantity
A0324	Reservoir 4kg	1
	Reservoir screw	4
	Washer	4
	Reservoir seal	1
	Follower plate O ring	2

RESERVOIR AND PUMP MAINTENANCE KIT: PUMP TYPE MULTIPOINT 4 KG WITHOUT LLS		
Reference	Description	Quantity
A0325	Reservoir maintenance kit	1
	Copper seal pump element	1
	Seal motor shaft	1

RESERVOIR AND PUMP MAINTENANCE KIT: PUMP TYPE MULTIPOINT 4 KG WITH LLS		
Reference	Description	Quantity
A0330	Reservoir maintenance kit	1
	Copper seal pump element	1
	Seal motor shaft	1
	Low level switch and cover	1

**KIT DE MAINTENANCE :
PUMP TYPE MULTIPOINT 8 KG**

RESERVOIR MAINTENANCE KIT: PUMP TYPE MULTIPOINT 8 KG		
Reference	Description	Quantity
A0331	Reservoir 8 kg	1
	Reservoir screw	4
	Washer	4
	Reservoir seal	1
	Follower plate O ring	2

RESERVOIR AND PUMP MAINTENANCE KIT: PUMP TYPE MULTIPOINT 8 KG WITHOUT LLS		
Reference	Description	Quantity
A0332	Reservoir maintenance kit	1
	Copper seal pump element	1
	Seal motor shaft	1

RESERVOIR AND PUMP MAINTENANCE KIT: PUMP TYPE MULTIPOINT 8 KG WITH LLS		
Reference	Description	Quantity
A0333	Reservoir maintenance kit	1
	Copper seal pump element	1
	Seal motor shaft	1
	Low level switch	1